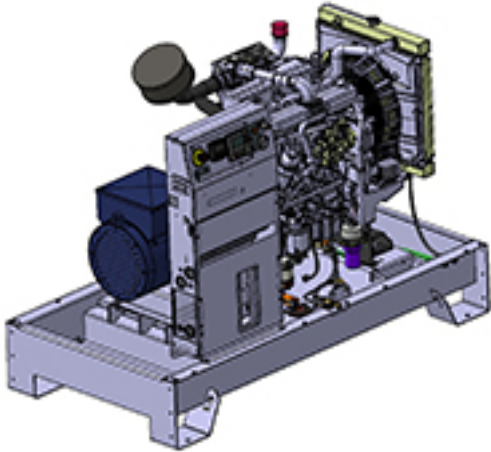


SDMO K33



GENERAL SET DATA

ENGINE REF:	KDI2504TM-30
ALTERNATOR REF:	KH00630T
STANDARD CONTROL PANEL:	APM303
OPTIONAL CONTROL PANEL:	TELYS/M80

OUTPUT

FREQUENCY:	50 Hz
VOLTAGE:	400/230
PRIME POWER:	30 kVA
STANDBY POWER:	33 kVA

DIMENSIONS

OPEN MODEL

LENGTH:	1700 mm
WIDTH:	896 mm
HEIGHT:	1255 mm
DRY WEIGHT:	629 Kg
FUEL TANK CAPACITY:	100 L

CLOSED MODEL

LENGTH:	2080 mm
WIDTH:	960 mm
HEIGHT:	1415 mm
DRY WEIGHT:	883 Kg
FUEL TANK CAPACITY:	100 L
ACOUSTIC PRESSURE AT 1M:	75 dB
ACOUSTIC PRESSURE AT 7M:	63 dB

SDMO K33

TECHNICAL DATA

GENERAL ENGINE DATA

MANUFACTURER:	KOHLER
MODEL REF:	KDI2504TM-30
SPEED:	1500 RPM
POWER PRP:	24 kW
POWER LTP:	26.4 kW
NUMBER OF CYLINDERS:	4
DISPLACEMENT:	2.48 L
BORE:	88 mm
STROKE:	102 mm
COMPRESSION RATIO:	18.5
COOLING SYSTEM:	GLYCOL-ETHYLENE
AIR INLET SYSTEM:	TURBO
OIL CAPACITY:	11.5 L
EXHAUST GAS TEMP:	455 °C
EXHAUST GAS FLOW:	103 L/s

ALTERNATOR DATA

ALTERNATOR REF:	KH00630T
INSULATION CLASS:	H
INDICATION OF PROTECTION:	IP23

FUEL

CONSUMPTION AT 100%:	7.5 L/hr
CONSUMPTION AT 75%:	5.7 L/hr
CONSUMPTION AT 50%:	4 L/hr

TERMS & CONDITIONS

PRP : Prime Power is available for an unlimited number of annual operating hours in variable load applications, in accordance with ISO 8528-1. ESP : The standby power rating is applicable for supplying emergency power in variable load applications in accordance with ISO 8528-1. Overload is not allowed.

According to the standard, the nominal power assigned by the genset is given for 25°C Air Intlet Temperature, of a barometric pressure of 100 kPa (100 m A.S.L), and 30 % relative humidity. For particular conditions in your installation, refer to the derating table.